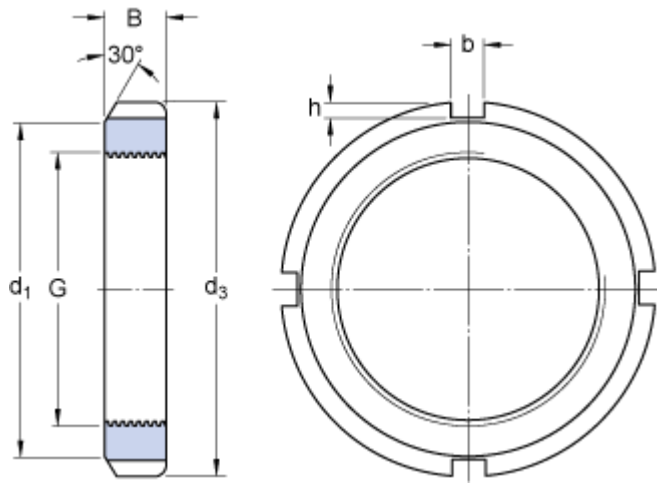


# HM 56 T

## Dimensions



G	Tr 280x4	
d <sub>3</sub>	350	mm
B	38	mm
d <sub>1</sub>	320	mm
b	24	mm
h	12	mm

## Mass

Mass lock nut	8.65	kg
---------------	------	----

## Mounting information

Appropriate spanner	TMFN 52-64
---------------------	------------

## Appropriate products

Lock washer	MB 56
-------------	-------